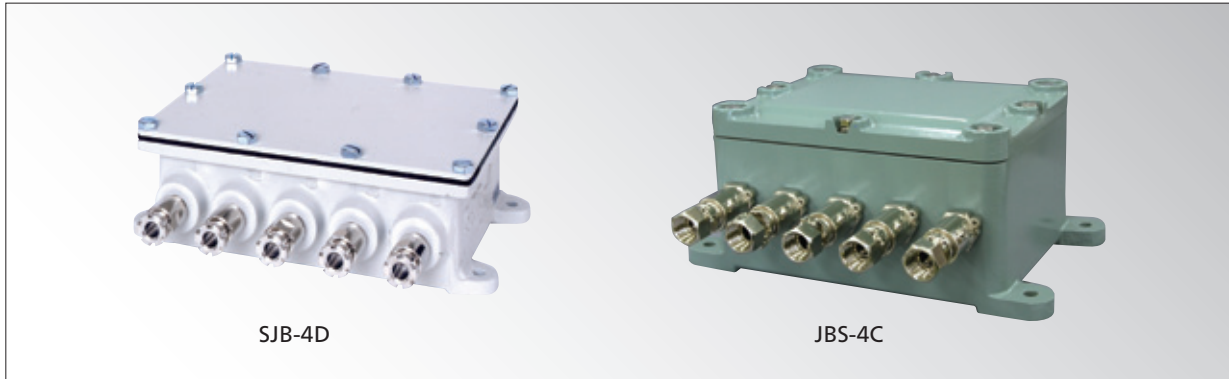


SJB-C/D, JBS-C

Junction Box



Cable connections for load cells and more integrated input of multi-transducer

A junction box is used when connecting a load cell and amplifier using an extension cable or when connecting cables of multiple load cells to an amplifier using a single cable for weighing a tank or hopper.

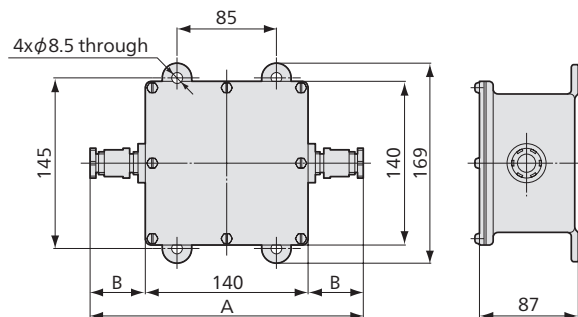
The SJB-C/D are designed for general purpose and the JBS-C is for use under hazardous, and explosive environment.

Models

Models	Connectable Load Cells	Applicable Cable Diameter	Remarks
SJB-1C	1	10 to 11 mm (15C)	4-conductor (0.5 mm ²) shielded cable
SJB-4C	4		
SJB-1D	1	7 to 8 mm (10B)	4-conductor (0.3 mm ²) shielded cable
SJB-4D	4		
JBS-1C	1	10 to 11 mm as specified	
JBS-4C	4		

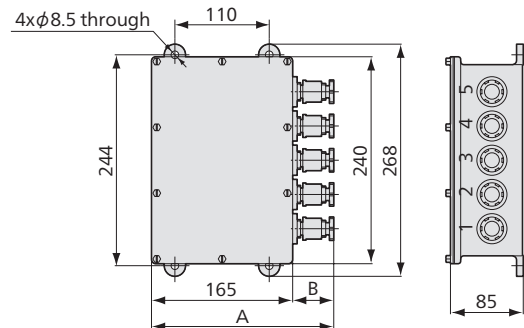
Note: Please specify the cable diameter.

●SJB-1C,1D



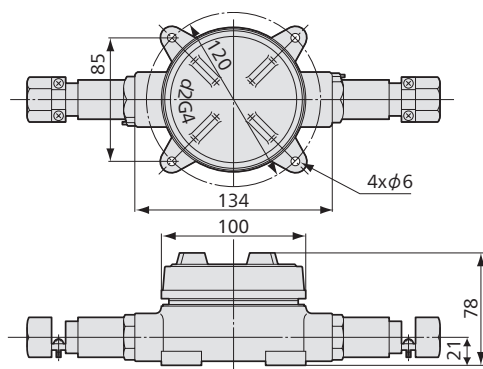
Models	A	B	Weight (Approx.)
SJB-1C	234	47	2.3 kg
SJB-1D	226	43	2.2 kg

●SJB-4C,4D



Models	A	B	Weight (Approx.)
SJB-4C	212	47	4.7 kg
SJB-4D	208	43	4.4 kg

●JBS-1C



●JBS-4C

