

Small-capacity Tension/Compression Load Cell



*TEDS-installed models are available. Inquiries are welcome.

Small capacity High sensitivity Tension/Compression Load Cells

A straight beam is used as the diaphragm to enable highly accurate measurement of small loads.

Specifications

Performance

Rated Capacity	See table below.
Nonlinearity	Within $\pm 0.3\%$ RO
Hysteresis	Within $\pm 0.2\%$ RO
Repeatability	0.2% RO or less
Rated Output	1.5 mV/V $\pm 0.5\%$

Environmental Characteristics

Safe Temperature	-20 to 75°C
Compensated Temperature	-10 to 65°C
Temperature Effect on Zero	Within $\pm 0.01\%$ RO/°C
Temperature Effect on Output	Within $\pm 0.01\%$ /°C

Electrical Characteristics

Safe Excitation	15 V AC or DC
Recommended Excitation	1 to 10 V AC or DC
Input Resistance	350 $\Omega \pm 0.5\%$
Output Resistance	350 $\Omega \pm 0.5\%$
Cable	4-conductor (0.3 mm ²) chloroprene shielded cable, 7.6 mm diameter by 5 m long, with a connector plug PRC03-12A10-7M (Shield wire is connected to the case.)

Mechanical Properties

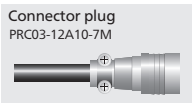
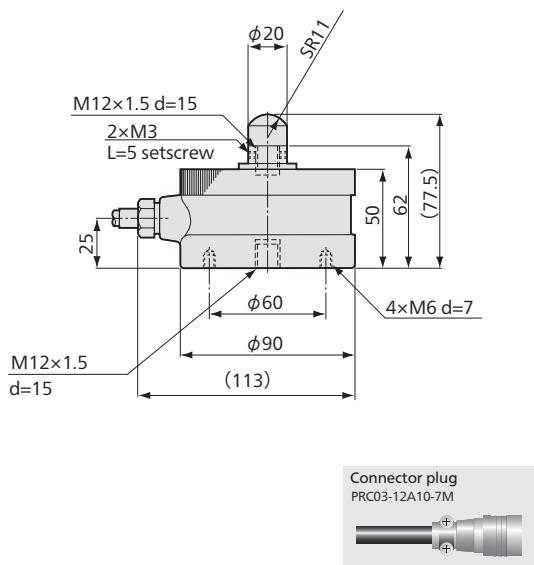
Safe Overloads	120%
Natural Frequencies	See table below.
Weight	Approx. 2.3 kg (Excluding cable)

Optional Accessories (For details, see pages 2-72 to 2-76)

Mount Base CF

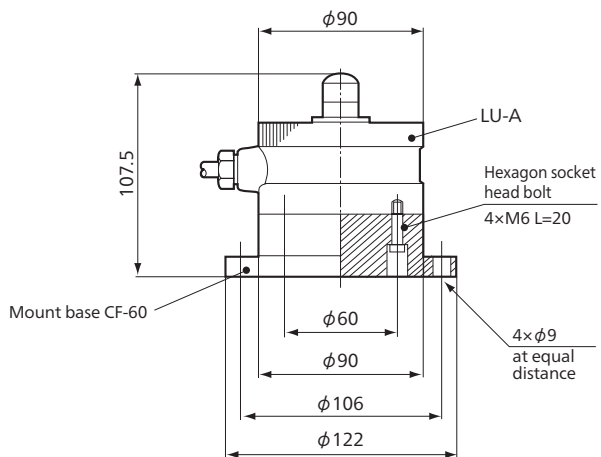
Models	Rated Capacity	Natural Frequencies
LU-5KA	± 50 N	≈ 200 Hz
LU-10KA	± 100 N	≈ 330 Hz
LU-20KA	± 200 N	≈ 500 Hz

Dimensions



Dimensions in Combination with Mount Base

● In Combination with Mount Base CF-60



Hexagon socket head bolts for connection between load cells and mount bases are standard accessories to mount bases.

- Physical quantity indication
- Static measurement
- Dynamic measurement

