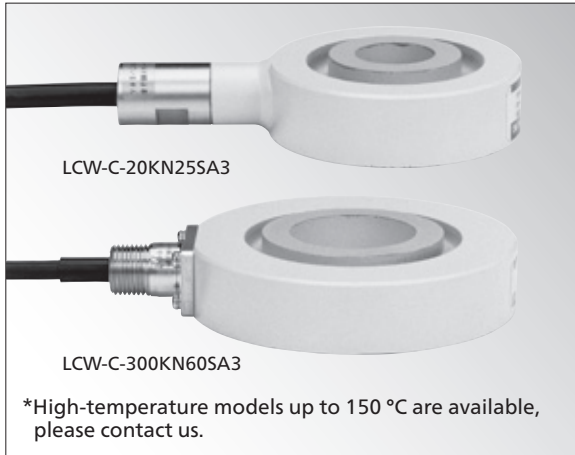


LCW-C-SA3

Washer-type Load Cell

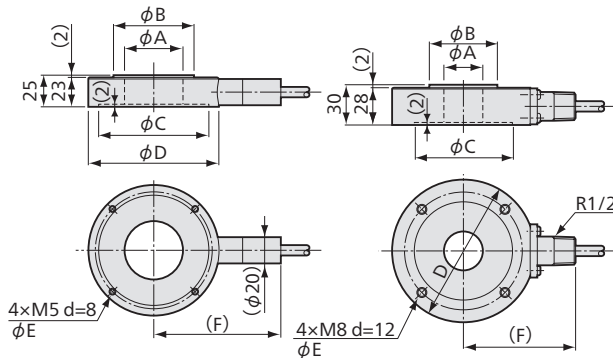
● For Press Forming ● 10 kN to 300 kN



Thin High Stability Wide Range of Rated Capacities

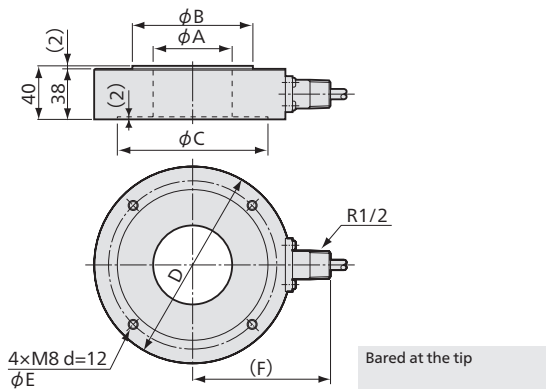
Extremely simple structure facilitates handling and maintenance. Widely applicable for bolt tension control, press forming, etc.

■ Dimensions



LCW-C-10, 20KNSA3

LCW-C-50, 100KNSA3



LCW-C-200, 300KNSA3

Specifications

Performance

Rated Capacity	See table below.
Nonlinearity	Within ±1% RO
Hysteresis	Within ±1% RO
Rated Output	Approx. 1 mV/V

Environmental Characteristics

Safe Temperature	-35 to 80°C
Compensated Temperature	-10 to 70°C
Temperature Effect on Zero	Within ±0.01% RO/°C
Temperature Effect on Output	Within ±0.01%/°C

Electrical Characteristics

Safe Excitation	15 V AC or DC
Recommended Excitation	1 to 10 V AC or DC
Input Resistance	350 Ω±1%
Output Resistance	350 Ω±1%
Cable	4-conductor (0.3 mm ²) chloroprene shielded cable, 7.6 mm diameter by 5 m long, bared at the tip (Shield wire is not connected to the case.)

Mechanical Properties

Safe Overloads	150%
Weight	See table below.

Models	Rated Capacity	φA	φB	φC	D	φE (F)	Weight*
LCW-C-10KN25SA3	10 kN	25	42	64	80	70 87	≈ 0.6 kg
LCW-C-10KN35SA3		35	52	74	90	80 92	≈ 0.7 kg
LCW-C-10KN45SA3		45	62	84	100	90 97	≈ 0.8 kg
LCW-C-10KN55SA3		55	72	94	110	100 102	≈ 0.9 kg
LCW-C-10KN65SA3	20 kN	65	82	104	120	110 107	≈ 1.0 kg
LCW-C-20KN25SA3		25	42	64	80	70 87	≈ 0.6 kg
LCW-C-20KN35SA3		35	52	74	90	80 92	≈ 0.7 kg
LCW-C-20KN45SA3		45	62	84	100	90 97	≈ 0.8 kg
LCW-C-20KN55SA3	55	72	94	110	100 102	≈ 0.9 kg	
LCW-C-20KN65SA3	65	82	104	120	110 107	≈ 1.0 kg	
LCW-C-50KN30SA3	50 kN	30	52	74	108	90 85	≈ 1.7 kg
LCW-C-50KN40SA3		40	62	84	118	100 90	≈ 1.9 kg
LCW-C-50KN50SA3		50	72	94	128	110 95	≈ 2.1 kg
LCW-C-50KN60SA3		60	82	104	138	120 100	≈ 2.3 kg
LCW-C-50KN70SA3	70	92	114	148	130 105	≈ 2.5 kg	
LCW-C-50KN80SA3	80	102	124	158	140 110	≈ 2.7 kg	
LCW-C-100KN30SA3	100 kN	30	52	74	108	90 85	≈ 1.7 kg
LCW-C-100KN40SA3		40	62	84	118	100 90	≈ 1.9 kg
LCW-C-100KN50SA3		50	72	94	128	110 95	≈ 2.1 kg
LCW-C-100KN60SA3		60	82	104	138	120 100	≈ 2.3 kg
LCW-C-100KN70SA3	70	92	114	148	130 105	≈ 2.5 kg	
LCW-C-100KN80SA3	80	102	124	158	140 110	≈ 2.7 kg	
LCW-C-200KN60SA3	200 kN	60	92	114	148	130 105	≈ 3.7 kg
LCW-C-200KN70SA3		70	102	124	158	140 110	≈ 4.1 kg
LCW-C-200KN80SA3		80	112	134	168	150 115	≈ 4.4 kg
LCW-C-200KN90SA3		90	122	144	178	160 121	≈ 4.8 kg
LCW-C-200KN100SA3	100	132	154	188	170 126	≈ 5.1 kg	
LCW-C-300KN60SA3	300 kN	60	92	114	148	130 105	≈ 3.7 kg
LCW-C-300KN70SA3		70	102	124	158	140 110	≈ 4.1 kg
LCW-C-300KN80SA3		80	112	134	168	150 115	≈ 4.4 kg
LCW-C-300KN90SA3		90	122	144	178	160 121	≈ 4.8 kg
LCW-C-300KN100SA3	100	132	154	188	170 126	≈ 5.1 kg	

*Excluding cable

● Physical quantity indication

LCW-C-SA3
Recommended
products for combination

Instrumentation Amplifier
WGA-900A
→ 3-95

Instrumentation Amplifier
WGA-680A
→ 3-97

Instrumentation Amplifier
WGA-100B
→ 3-108

4-Channel Signal Conditioner
WGC-140A
→ 3-110

Measuring Instrument Controller
WDC-810C1
→ 3-114