

## Explosion-proof construction Compression Load Cell



### Dedicated Compression Load Cell with Explosion-proof Construction.

\*Please contact us for details.

#### Specifications

##### Performance

Rated Capacity	See table below.
Nonlinearity	Within $\pm 0.2\%$ RO
Hysteresis	Within $\pm 0.2\%$ RO
Repeatability	0.2% RO or less
Rated Output	2 mV/V $\pm 0.2\%$

##### Environmental Characteristics

Safe Temperature	-15 to 75°C
Compensated Temperature	-10 to 70°C
Temperature Effect on Zero	Within $\pm 0.007\%$ RO/°C
Temperature Effect on Output	Within $\pm 0.005\%$ /°C
<b>Explosion-proof Environmental Conditions</b>	
Ambient Temperature:	-10 to 40°C
Relative Humidity:	45 to 85%RH

##### Electrical Characteristics

Safe Excitation	15 V AC or DC
Recommended Excitation	1 to 10 V AC or DC
Input Resistance	350 $\Omega \pm 0.5\%$
Output Resistance	350 $\Omega \pm 0.5\%$
Cable	4-conductor (0.3 mm <sup>2</sup> ) chloroprene shielded cable, 5 mm diameter by 7.6 m long, terminated with a connector plug PRC03-12A10-7M (Shield wire is connected to the case.)

##### Mechanical Properties

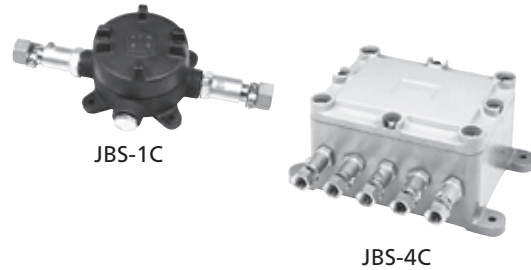
Safe Overloads	120%
Natural Frequencies	See table below.
Weight	Approx. 4.5 kg

Optional Accessories (For details, see pages 2-72 to 2-76)

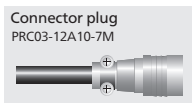
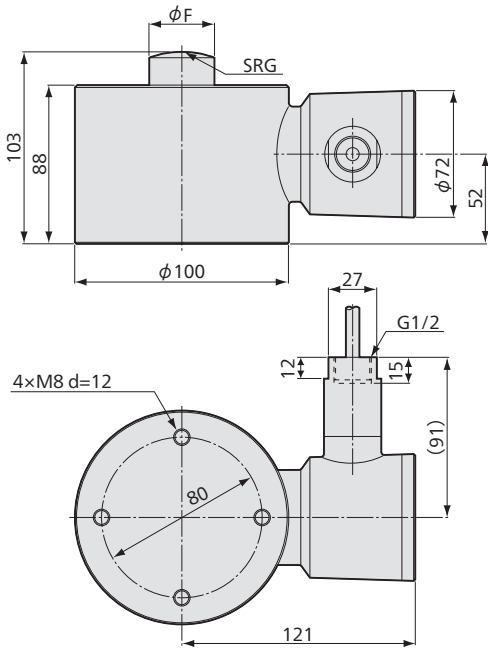
- Saddle CA-B
- Mount Base CF
- Movable Saddle ER-B

#### ■ Junction Box for Explosion-proof JBS-1C, 4C

- JBS-1C 1 CH
- JBS-4C 4 CH



#### ■ Dimensions



Models	Rated Capacity	SRG	Natural Frequencies	$\phi F$	Load-bearing Unit	Movable Saddles	Mount Bases
LCS-500KD	5 kN	30	$\approx 4$ kHz	18	—	—	CF-80
LCS-1TD	10 kN	—	$\approx 5.3$ kHz	—	—	—	—
LCS-2TD	20 kN	—	$\approx 6.2$ kHz	23	CA-10B	ER-5B	CF-80
LCS-5TD	50 kN	50	$\approx 6$ kHz	24	—	—	—

- Physical quantity indication
- Static measurement
- Dynamic measurement

Recommended products for combination:

- LCS-D Recommended products for combination
- Instrumentation Amplifier WGA-900A → 3-95
- Data Logger UCAM-60B → 3-25
- Strain Amplifier DPM-900 Series → 3-5
- Universal Recorder EDX-200A → 3-55
- Universal Recorder EDX-100A → 3-63
- Sensor Interface PCD-400A → 3-77