

High Temp. Compression Load Cell



*TEDS-installed models are available. Inquiries are welcome.

High Reliability Airtight Structure Selectable from a Wide Range of Rated Capacities.

Able to continuously operate at temperatures up to 150°C without any external cooling.

Specifications

Performance

Rated Capacity	See table below.
Nonlinearity	Within ±0.5%RO
Hysteresis	Within ±0.5%RO
Repeatability	0.05% RO or less
Rated Output	1.5 mV/V ±0.2%

Environmental Characteristics

Safe Temperature	-10 to 150°C (Excluding connector)
Compensated Temperature	-10 to 150°C (Excluding connector)
Temperature Effect on Zero	Within ±0.005%RO/°C
Temperature Effect on Output	Within ±0.01%/°C

Electrical Characteristics

Safe Excitation	20 V AC or DC
Recommended Excitation	1 to 10 V AC or DC
Input Resistance	350 Ω±0.5%
Output Resistance	350 Ω±0.5%
Cable	4-conductor (0.03 mm ²) fluoroplastic shielded cable, 5 mm diameter by 5 m long, terminated with a connector plug PRC03-12A10-7M (Shield wire is not connected to the case.)

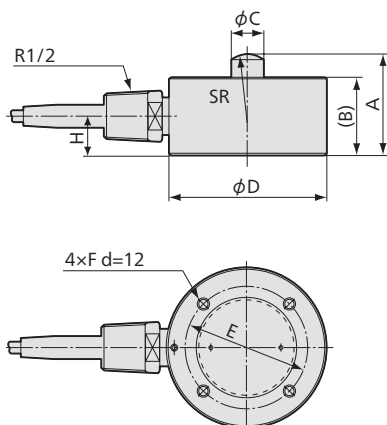
Mechanical Properties

Safe Overloads	200%
Natural Frequencies	See table below.
Weight	See table below.

Models	Rated Capacity	Natural Frequencies	Weight*
LC-50KFH	500 N	≈ 3.2 kHz	≈ 800 g
LC-100KFH	1 kN	≈ 5.1 kHz	
LC-200KFH	2 kN	≈ 7.2 kHz	
LC-500KFH	5 kN	≈ 11 kHz	≈ 800 g
LC-1TFH	10 kN	≈ 17 kHz	
LC-2TFH	20 kN	≈ 21 kHz	
LC-5TFH	50 kN	≈ 16 kHz	≈ 2.0 kg
LC-10TFH	100 kN	≈ 11 kHz	≈ 3.4 kg
LC-20TFH	200 kN	≈ 8.6 kHz	≈ 7.0 kg

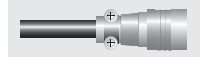
*Excluding cable

Dimensions



Models	A	(B)	φC	φD	E	F	F	H
LC-50KFH	44	32	14	68	52	M5	12	17
LC-100KFH								
LC-200KFH								
LC-500KFH	44	32	14	68	52	M5	30	17
LC-1TFH	44	34	14	68	52	M5	30	17
LC-2TFH								
LC-5TFH	60	45	18	96	80	M8	70	17
LC-10TFH	75	55	26	116	100	M8	100	17
LC-20TFH	95	70	36	156	130	M8	100	25

Connector plug
PRC03-12A10-7M



●Physical quantity indication ●Static measurement ●Dynamic measurement

LC-FH
Recommended
products for
combination

Instrumentation Amplifier
WGA-900A
→ 3-95

Data Logger
UCAM-60B
→ 3-25

Strain Amplifier
DPM-900 Series
→ 3-5

Universal Recorder
EDX-200A
→ 3-55

Universal Recorder
EDX-100A
→ 3-63

Sensor Interface
PCD-400A
→ 3-77

