

## General-purpose Compression Load Cell



\*Watertight models are available.  
\*TEDS-installed models are available. Inquiries are welcome.

### Specifications

#### Performance

Rated Capacity	See table below.
Nonlinearity	Within $\pm 0.5\%$ RO
Hysteresis	Within $\pm 0.2\%$ RO
Repeatability	0.1% RO or less
Rated Output	2 mV/V $\pm 1\%$

#### Environmental Characteristics

Safe Temperature	-30 to 85°C
Compensated Temperature	-10 to 70°C
Temperature Effect on Zero	Within $\pm 0.005\%$ RO/°C
Temperature Effect on Output	Within $\pm 0.005\%$ /°C

#### Electrical Characteristics

Safe Excitation	20 V AC or DC
Recommended Excitation	1 to 10 V AC or DC
Input Resistance	350 $\Omega \pm 0.5\%$
Output Resistance	350 $\Omega \pm 0.5\%$
Cable	4-conductor (0.3 mm <sup>2</sup> ) chloroprene shielded cable, 7.6 mm diameter by 5 m long, terminated with a connector plug PRC03-12A10-7M (Shield wire is connected to the case.)

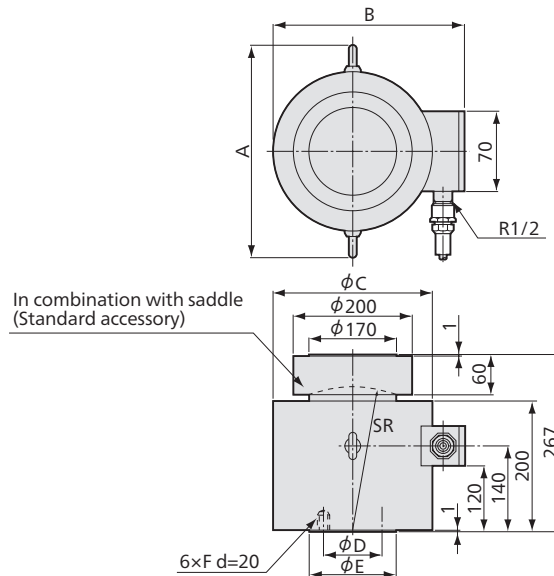
#### Mechanical Properties

Safe Overloads	150%
Natural Frequencies	See table below.
Weight	See table below.

### High Stability Hermetically Sealed Structure with Inert Gas Filled in.

Inert gas is filled in the detector portion, thereby preventing aging deterioration and ensuring a stable and reliable operation.

#### Dimensions



Models	Rated Capacity	Natural Frequencies (Approx.)	A	B	$\phi C$	$\phi D$	$\phi E$	F	SR	Weight (Approx.)*
LC-200TE	2 MN	3.5 kHz	310	246	210	90	135	M14	180	49 kg
LC-500TE	5 MN	4 kHz	340	277	240	130	170	M16	230	65 kg

\*Excluding cable

● Physical quantity indication ● Static measurement ● Dynamic measurement

