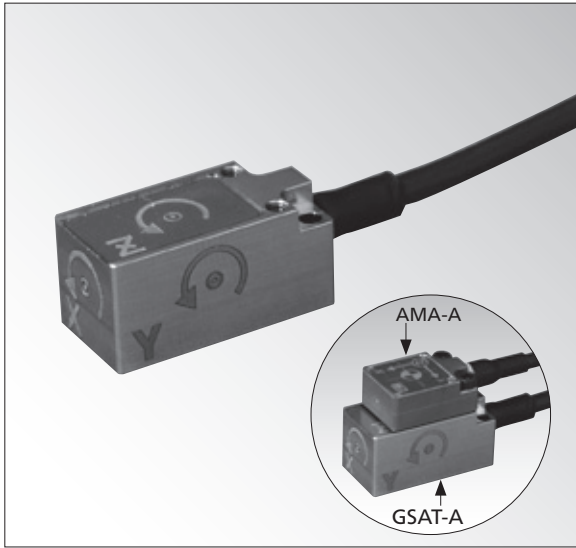


# GSAT-A-900

●15.708 rad/s

## Three Axis Angular Rate Gyro



### Compact and lightweight while enabling simultaneous measurement of angular velocities in 3 directions

- Compact and triaxial
- High shock resistance 9807 m/s<sup>2</sup> (1000 G)
- Most suitable for posture measurement
- Allows AMA-A to be mounted on the top

Note: AMA-A are compact triaxial acceleration transducers

#### Specifications

##### Performance

|                |                             |
|----------------|-----------------------------|
| Rated Capacity | ±15.708 rad/s (±900 deg./s) |
| Nonlinearity   | Within ±0.5% RO             |
| Hysteresis     | Within ±0.05% RO            |
| Rated Output   | Approx. ±2.0V               |

##### Environmental Characteristics

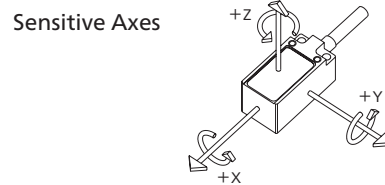
|                            |                      |
|----------------------------|----------------------|
| Compensated Temperature    | 5°C to 40°C          |
| Safe Temperature           | -10°C to 60°C        |
| Temperature Effect on Zero | Within ±1.0% RO / °C |

##### Electrical Characteristics

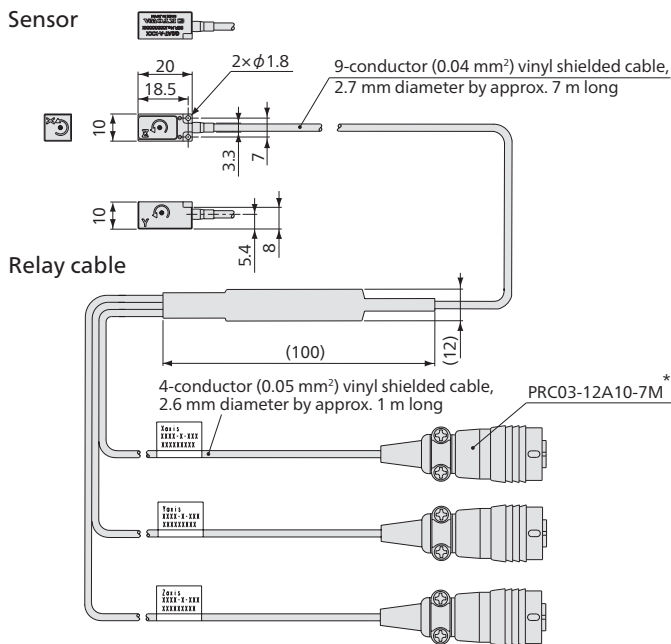
|                        |  |
|------------------------|--|
| Safe Excitation        | ±6.0 VDC with dual supply<br>12 VDC with single supply   |
| Recommended Excitation | ±2.5 VDC to ±5.0 VDC with dual supply<br>With single supply, see to the instruction manual.  |
| No-load Output         | Within ±10% RO   |
| Cables                 | Sensor: 9-conductor (0.04 mm <sup>2</sup> ) vinyl shielded cable, 2.7 mm diameter by approx. 7 m long<br>Relay: 4-conductor (0.05 mm <sup>2</sup> ) vinyl shielded cables, 2.6 mm diameter by approx. 1 m long, terminated with connector plugs PRC03-12A10-7M (Shield wire is not connected to the case.) |

##### Mechanical Properties

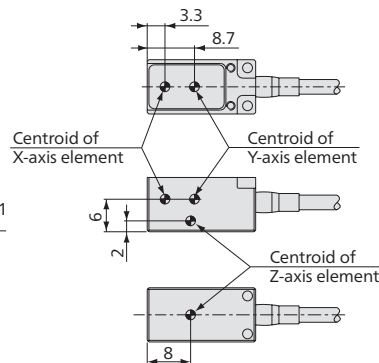
|                        |                                 |
|------------------------|---------------------------------|
| Safe Overloads         | 1000%                           |
| Safe Shock Resistance  | 9807 m/s <sup>2</sup> (1000 G)  |
| Transverse Sensitivity | 10% RO or less                  |
| Weight                 | Approx. 10 g (Excluding cables) |



#### Dimensions



#### Centroid positions



Weight: Approx. 10 g (Excluding cables)  
Cable full length: Approx. 8 m long

● indicates the centroid of element.

\*1 For rectangular connectors' type Its model is GSAT-A-J

#### ● Dynamic measurement

GSAT-A Recommended products for combination

|  |                                       |   |  |  |   |  |  |  |  |  |   |
|--|---------------------------------------|---|--|--|---|--|--|--|--|--|---|
|  | Conditioner card<br>CVM-41A<br>→ 3-74 | + |  | AD Converter Card<br>AD-40AS<br>→ 3-76 | + |  | Universal Recorder<br>EDX-200A<br>→ 3-55 |  | Universal Recorder<br>EDX-100A<br>→ 3-63 |  | Memory Recorder/Analyzer<br>EDX-5000A<br>→ 3-68 |
|--|---------------------------------------|---|--|--|---|--|--|--|--|--|---|