

BL-B

Hollowed Load Cell

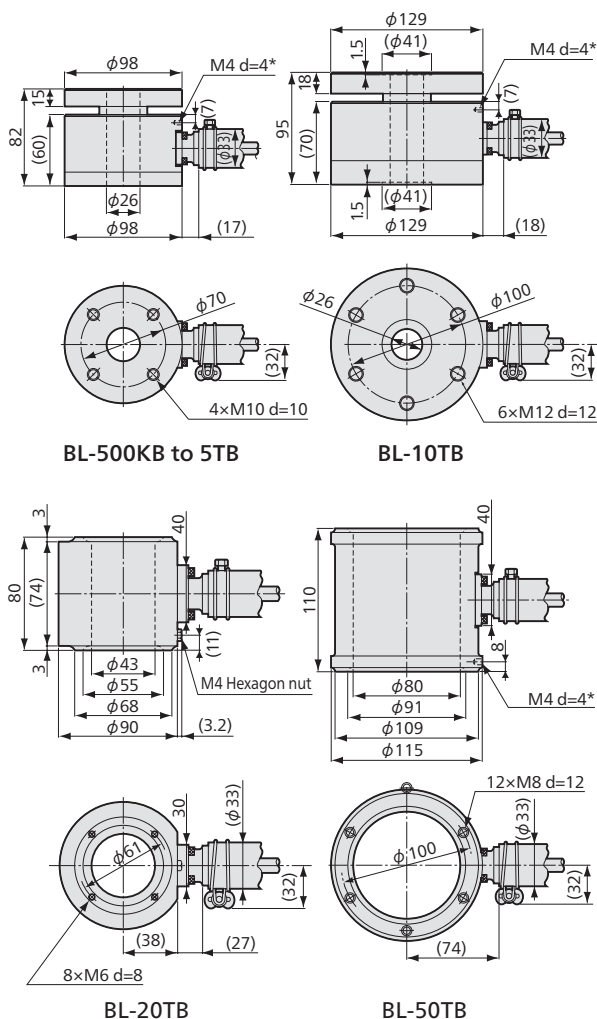
● Load Measurement ● 5 to 500kN



To endure field applications, these transducers feature a waterproof design, and high accuracy

The BL-B series hollowed load cells are designed to accurately measure the load applied to an earth anchor, PC anchor and the support of a tunnel arch. To endure field applications, these transducers feature a waterproof design and high accuracy.

Dimensions



* For grounding of lightning arrester kit.

Specifications

Performance

Rated Capacity	See table below.
Nonlinearity	Within $\pm 1\%$ RO for 5 to 100 kN Within $\pm 2\%$ RO for 200 kN Within $\pm 0.6\%$ RO for 500 kN
Hysteresis	Within $\pm 1\%$ RO
Rated Output	1 mV/V or more

Environmental Characteristics

Safe Temperature	-20 to 70°C
Compensated Temperature	-10 to 60°C
Temperature Effect on Zero	Within $\pm 0.1\%$ RO/°C
Temperature Effect on Output	Within $\pm 0.1\%$ /°C

Electrical Characteristics

Safe Excitation	10 V AC or DC
Recommended Excitation	1 to 10 V AC or DC
Input Resistance	350 Ω $\pm 2\%$
Output Resistance	350 Ω $\pm 2\%$
Cable	4-conductor (0.5 mm ²) chloroprene shielded cable, 9.6 mm diameter by 1 m long, bared at the tip (Shield is not connected to the case.)

Mechanical Properties

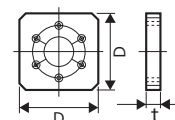
Safe Overloads	120%
Weight	See table below.

Optional Accessories

Saddle BLP-(D)x(t)s for BL-type Load Cells

See figure at the right for (D) and (t). Dimensions (D) and (t) are available in the following range depending on rated capacity.
 D = 100 x 100 mm to 400 x 400 mm
 t = 20 to 50 mm

● Inform us the dimensions of the part of equipment which contacts with the saddle.
 A round saddle is also available for option.



Models	Rated Capacity	Hollow Diameters	Weight (Approx.)
BL-500KB	5 kN	26	3 kg
BL-1TB	10 kN		
BL-2TB	20 kN		
BL-5TB	50 kN		
BL-10TB	100 kN	26	7.5 kg
BL-20TB	200 kN	43	1.6 kg
BL-50TB	500 kN	80	3.3 kg