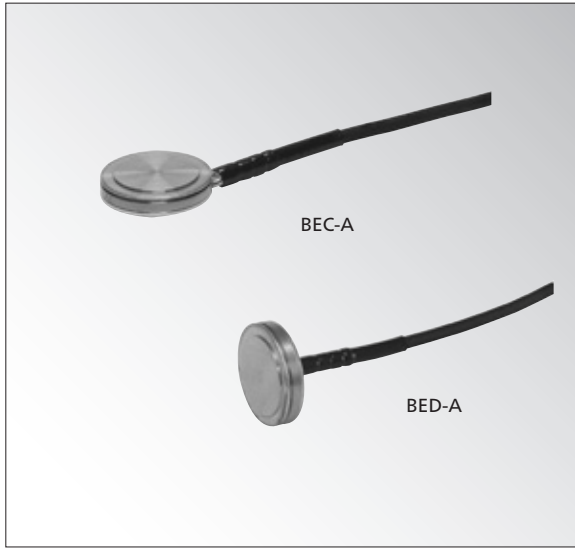


# BEC-A/BED-A

● Pressure Measurement  
● 200 kPa to 1 MPa

## Small-sized Soil Pressure Transducer

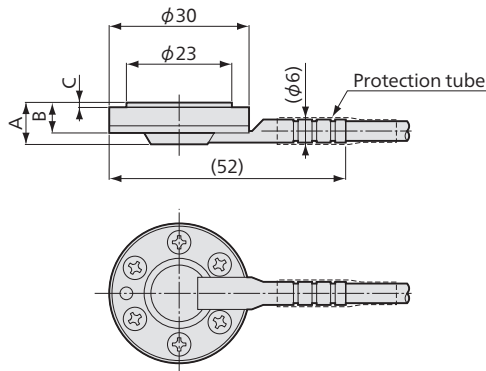


A pressure-sensing surface 23 mm in diameter.  
Suitable for measurement of soil pressure distribution in short-term or model experiment

● Suitable for short-term experiments

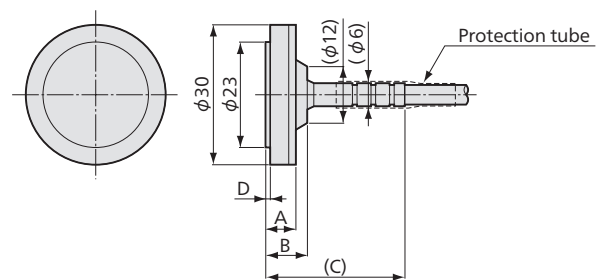
The BEC-A or BED-A series is a small-sized soil pressure transducer with an outer diameter of 30 mm and a pressure-sensing surface diameter of 23 mm. They are used for measurement of soil pressure distribution in short-term or model experiments.

### ■ Dimensions



Models	A	B	C
BEC-A-200KP	8.7	6.2	0.5
BEC-A-500KP	9	6.5	0.8
BEC-A-1MP			

BEC-A



Models	A	B	C	D
BED-A-200KP	6.2	8.7	29.7	0.5
BED-A-500KP	6.5	9	30	0.8
BED-A-1MP				

BED-A

### Specifications

#### Performance

Rated Capacity	See table below.
Nonlinearity	Within $\pm 2\%$ RO
Hysteresis	Within $\pm 1\%$ RO
Rated Output	0.25 mV/V or more

#### Environmental Characteristics

Safe Temperature	-10 to 60°C
Compensated Temperature	0 to 50°C
Temperature Effect on Zero	Within $\pm 0.4\%$ RO/°C
Temperature Effect on Output	Within $\pm 0.4\%$ /°C

#### Electrical Characteristics

Safe Excitation	4 V AC or DC
Recommended Excitation	2 to 4 V AC or DC
Input Resistance	120 $\Omega \pm 1.7\%$
Output Resistance	120 $\Omega \pm 1.7\%$
Cable	4-conductor (0.08 mm <sup>2</sup> ) chloroprene shielded cable, 4 mm diameter by 3 m long, bared at the tip (Shield is connected to the case.)

#### Mechanical Properties

Safe Overloads	120%
Weight	Approx. 120 g

Models	Rated Capacity	Use
BEC-A-200KP	200 kPa	Underground soil pressure measurement
BEC-A-500KP	500 kPa	
BEC-A-1MP	1 MPa	
BED-A-200KP	200 kPa	Wall surface soil pressure measurement
BED-A-500KP	500 kPa	
BED-A-1MP	1 MPa	

### ■ Application Example

