

# ASH-A

● High Frequency Response ● 980.7 to 9807 m/s<sup>2</sup>

## Small-sized High Frequency Response Acceleration Transducer



\*TEDS-installed models are available. Inquiries are welcome.

### Compact and Lightweight Design Resulting in Slight Effects on Vibration Mode

Compact and lightweight design of ASH-A series acceleration transducers do not disturb vibration mode of objects by installing these transducers. In addition, it is easy to install ASH-A acceleration transducers by adhesives like CC-33A.

#### Specifications

##### Performance

Rated Capacity	See table below.
Nonlinearity	Within ±1% RO
Hysteresis	Within ±1% RO
Rated Output	0.5 mV/V ±20%

##### Environmental Characteristics

Safe Temperature	-15 to 65°C
Compensated Temperature	5 to 40°C
Temperature Effect on Zero	Within ±1% RO/°C
Temperature Effect on Output	Within ±1%/°C

##### Electrical Characteristics

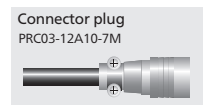
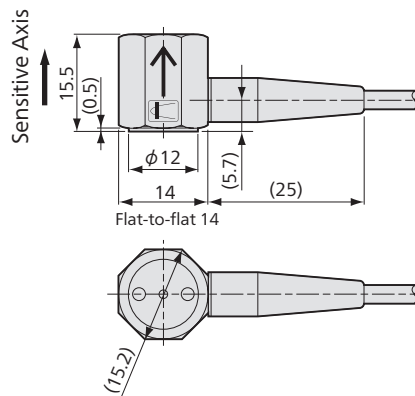
Safe Excitation	6 V AC or DC
Recommended Excitation	2 V AC or DC
Input Resistance	120 Ω±8.3%
Output Resistance	120 Ω±8.3%
Cable	4-conductor (0.08 mm <sup>2</sup> ) vinyl shielded cable, 3.2 mm diameter by 5 m long, terminated with connector plug PRC03-12A10-7M (Shield wire is not connected to the case.)

##### Mechanical Properties

Safe Overloads	300%
Frequency Response	See table below.
Transverse Sensitivity	2% RO or less
Weight	Approx. 6.5 g (Excluding cable)

Models	Rated Capacity (Reference Value)	Frequency Response (At 23°C)
ASH-A-100	±980.7 m/s <sup>2</sup> (±100 G)	DC to 2 kHz ±5%
ASH-A-200	±1961 m/s <sup>2</sup> (±200 G)	DC to 3.5 kHz ±5%
ASH-A-500	±4903 m/s <sup>2</sup> (±500 G)	DC to 5 kHz ±10%
ASH-A-1K	±9807 m/s <sup>2</sup> (±1000 G)	DC to 7 kHz ±10%

#### Dimensions



#### ● Dynamic measurement

ASH-A Recommended products for combination

- Strain Amplifier DPM-900 Series → 3-5
- Compact Recording System EDX-10 series → 3-49
- Universal Recorder EDX-200A → 3-55
- Universal Recorder EDX-100A → 3-63
- Memory Recorder/Analyzer EDX-5000A → 3-68

